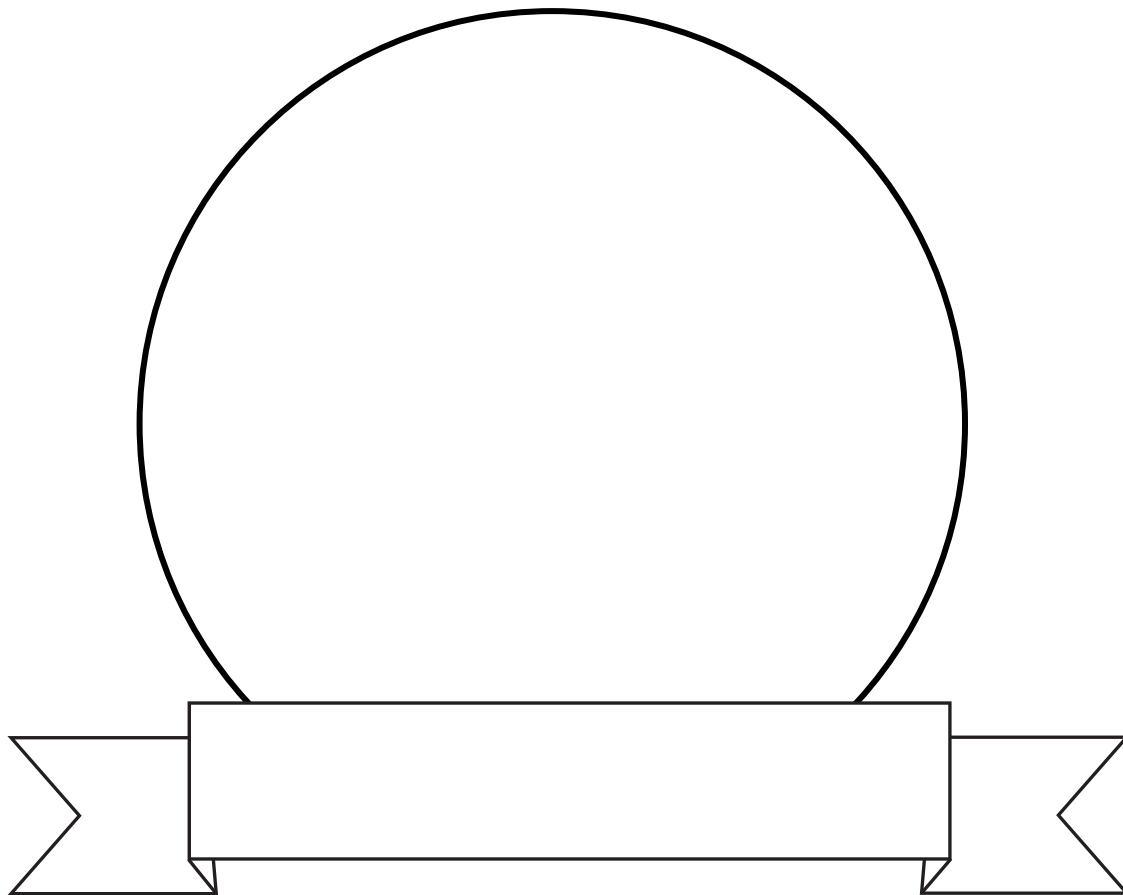


# THIS IS ME



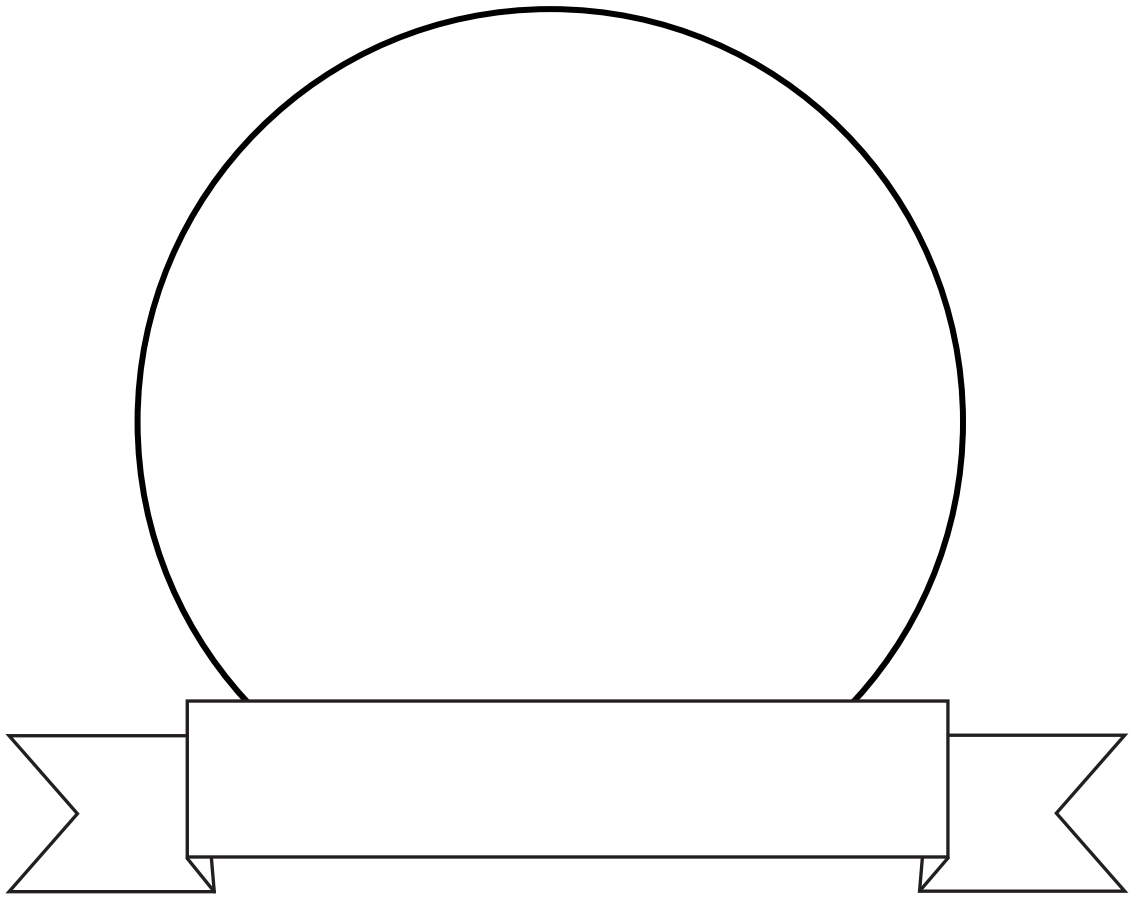
THINGS I LIKE...



THINGS I DISLIKE...



# THIS IS MY CASA



THINGS MY CASA LIKES...



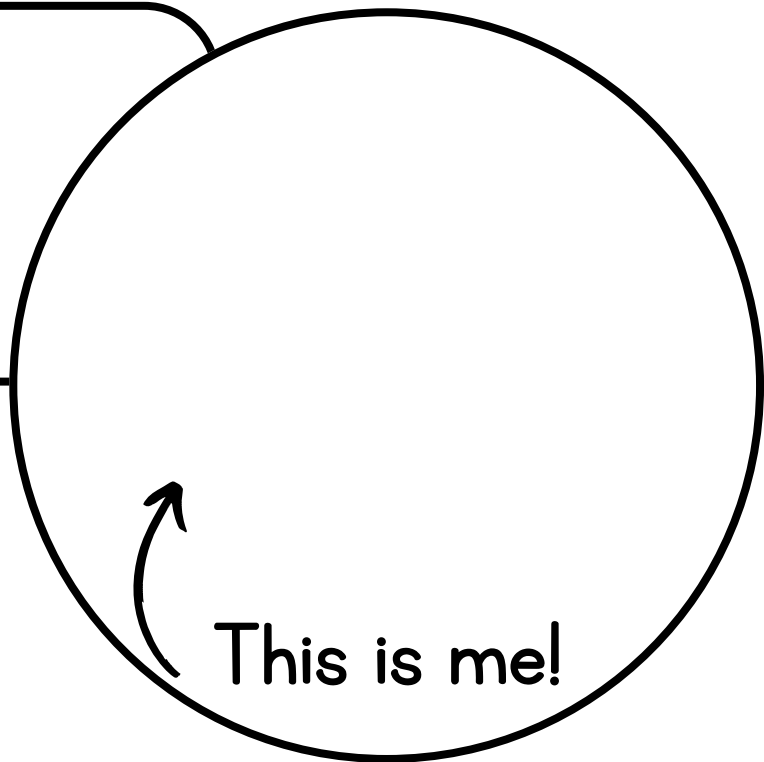
THINGS MY CASA DISLIKES...





# ALL ABOUT ME

My name is:



My favorite:

FOOD

COLOR

HOBBY

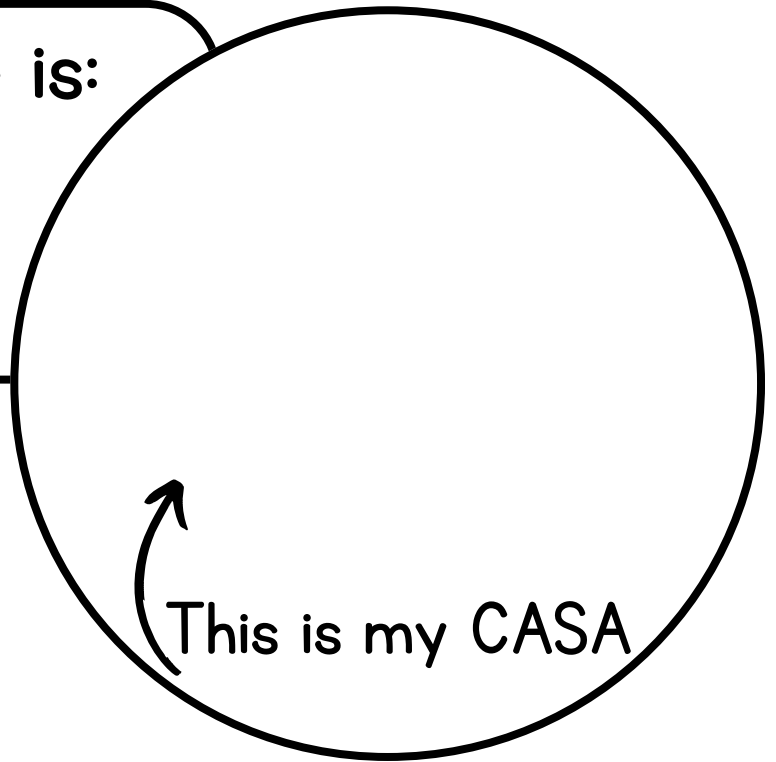
My family:





# ALL ABOUT MY CASA

My CASA's name is:



This is my CASA

My CASA likes:

FOOD

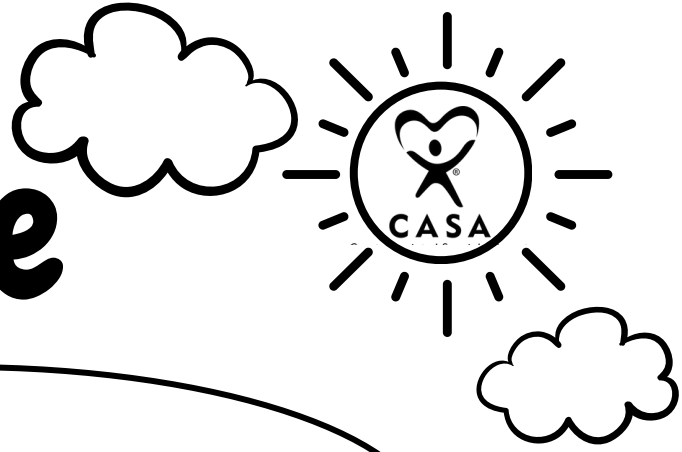
COLOR

HOBBY

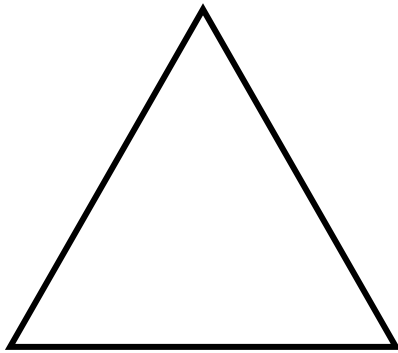
Their family:



# All About Me

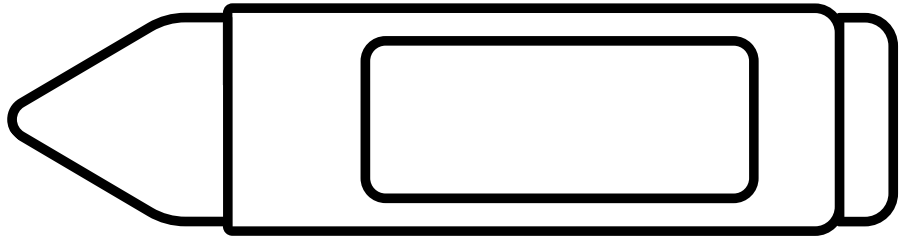


**NAME**

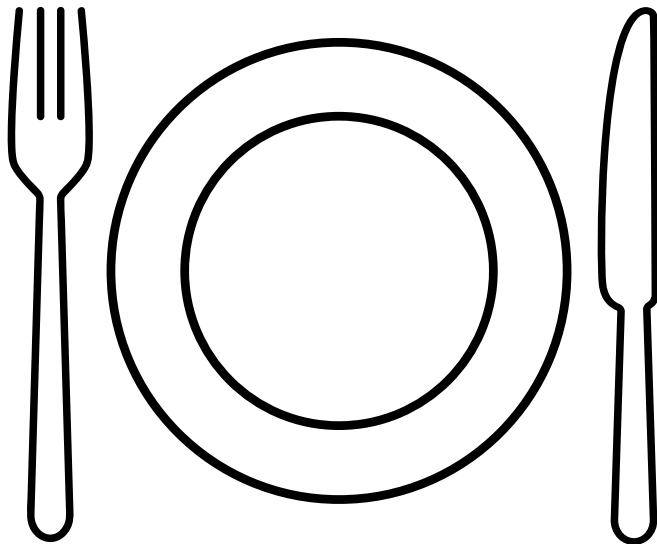
A large, empty oval shape intended for a child to write their name.

**AGE**

**FAVORITE COLOR**

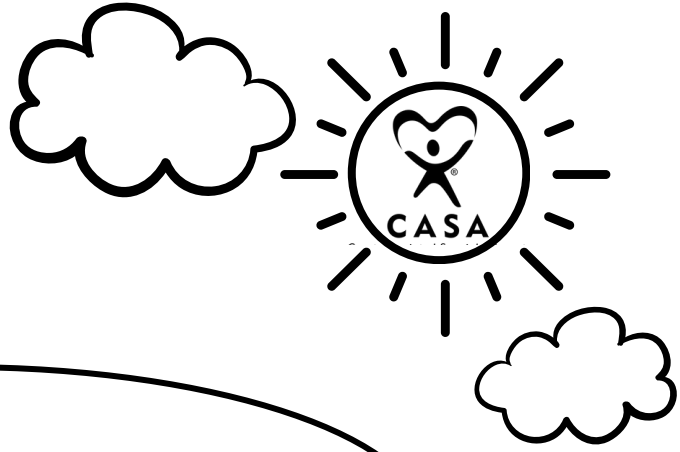


**SOMETHING I  
LIKE TO DO**

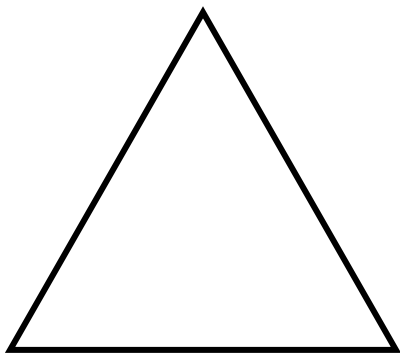
A large, empty rectangular box intended for a child to write something they like to do.

**THE SILLIEST FOOD  
I CAN IMAGINE**

# All About My CASA

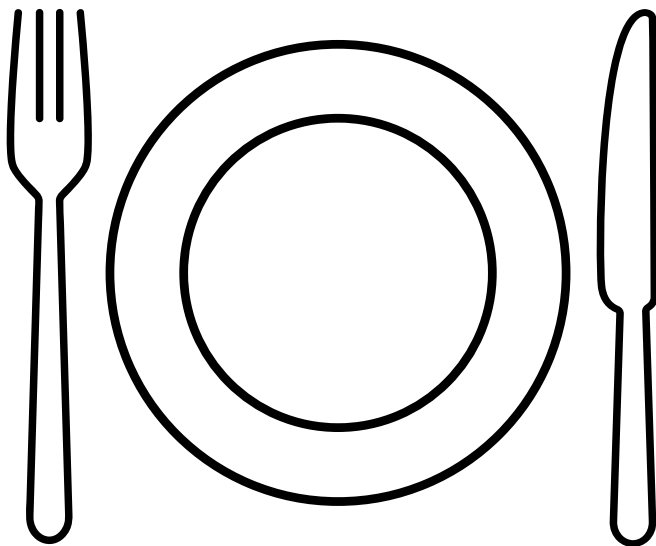
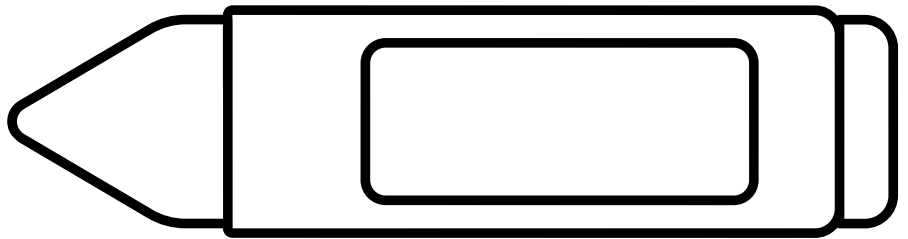


**NAME**

A large, empty oval shape intended for a child to write their name.

**AGE**

**FAVORITE COLOR**



**THE CRAZIEST FOOD  
MY CASA HAS EATEN**

**SOMETHING MY  
CASA WANTS  
TO DO WITH ME**

A large, empty rectangular box intended for a child to write something they want to do with their CASA.